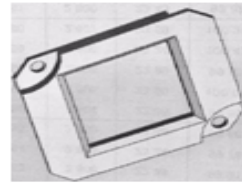
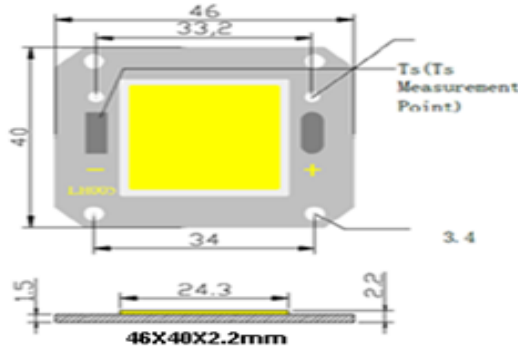


- Flip chip Technology
- Small Size 46X40X2.2mm
- Wide Viewing angle :120°
- RoHs Compliant

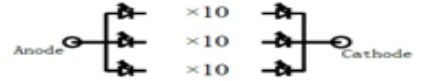
Applications

- Street Lights
- Flood Lights

4.Package Dimensions



The Products Supporting Po Snaps



Absolute Maximum Ratings

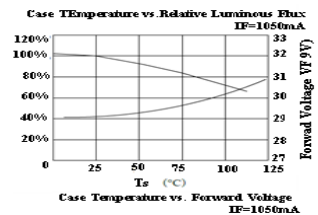
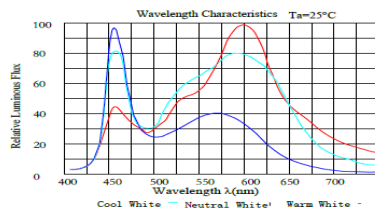
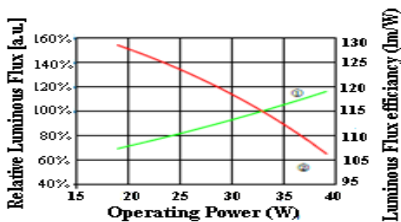
Parameter	Symbol	Max.	Units
Input power range Max	Pi	39.6	W
Operating current range	If	1200	mA

Electro-Optical Characteristics at Tc=25°C

Parameter	Symbol	Condition	Min.	Typ.	Max.	LM/W (typ)	Unit
Forward Voltage	VF	IF=1050mA	---	30	---	---	V
Luminous Flux	∅v	TC=6500K	3500	3700	4050	113	Lm
CRI	Ra	IF=1050mA	70	---	---	---	---
Operating Temperature Range	Top		-35°C To +100°C				
Storage Temperature Range	Tstg	--	-40°C To +85°C				
Lead Soldering Temperature	TSOL		Max. 350°C for 5sec Max.				
Rj Thermal Resistance	-	1050mA	1.22°C/W				

Current v/s Vf CCT. Lumens, Lm/W

IF (mA)	Vf(V)-Typ	CCT	∅v(Lm)-Typ	Lm/W-Typ[
600	30.0	5940	2426	134
750	30.5	5980	2917	126
900	31.0	6020	3365	119
1050	31.5	6060	3781	113
1200	32.0	6100	4156	106
1350	32.5	6140	4497	101



Notes: LED should be used within 168 Hrs. of opening the package. Re-Vacuum Pack the unused LEDs.

Reflow Solder not permitted. Use hand solder. Set the iron @350°C 5sec max. Cool the COB to Room Temp before going for second solder..



KWALITY PHOTONICS PRIVATE LIMITED

ISO 9001

29A&B, EC, Kushaiguda, Hyderabad-500062, INDIA. Ph: 040-64621946, 27123555 kwalitypolywa@gmail.com

sales@kwalityindia.com www.kwalityphotonics.com