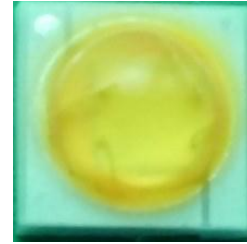
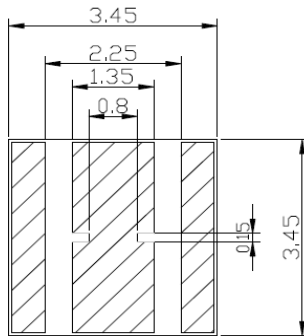
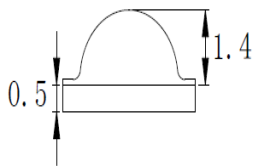
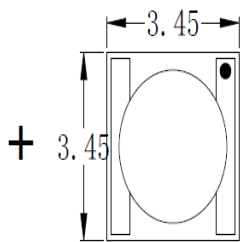


Datasheet No.107

KLHP3535W 130-140Lm KLHP3535W 110-120Lm

Packaging Dimensions

SMT pad layout



Related Parts	V _F	CCT	Lumens(Typ)	I _{max}
KLHP3535W140	2.8-3.6	5700	130-140	800 mA
KLHP3535W110	3.0-3.6	5700	110-120	400 mA

Electrical/Optical Characteristics at Ta = 25°C

Parameters	Symbol	Min	TYP	Max.	Units	Test Condition
Forward Voltage	V _F	2.8/3.0	3.2	3.6	V	I _F =350mA
Reverse Current	I _R	--	--	10	μA	V _R =5V
Luminous Flux	φ _V	130	--	140	--	I _F =350mA
Color Coordinated	X	--	0.32	--	--	I _F =350mA
	Y	--	0.34	--	--	I _F =350mA
Color Temperature	T _c	5300	5700	6100	K	I _F =350mA
Color Rendering Index	CRI	70	--	--	Ra	I _F =350mA
Viewing Angle			120°			

Absolute Maximum Rating at Ta = 25°C

Parameter	Symbol	Rating	Units
Input Power	P _i	140Lm - 2.7	W
	P _i	110Lm - 1.28	W
DC Forward Current	I _F	140Lm - 800	mA
	I _F	110Lm - 400	mA
Junction Temperature	T _j	150	°C
Reverse Voltage	V _R	5	V
Electrostatic Discharge (HBM)	ESD	1000	V
Operating Temperature	T _{opr}	-20°C to +85°C	°C
Lead soldering Temperature	T _{SOL}	Max 350°C for 3sec Max.	



KWALITY PHOTONICS PRIVATE LIMITED ISO 9001-2008
29, EC Kushaiguda, Hyderabad-500 062. PH: 91-040-27123555, 27136252

sales@kwalitvindia.com www.kwalitvphotronics.com

