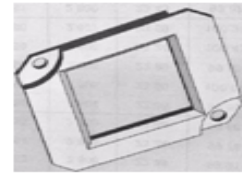
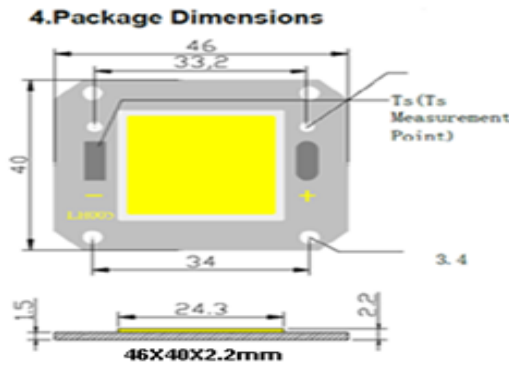


- Flip chip Technology
- Small Size 46X40X2.2mm
- Wide Viewing angle :120°C
- RoHS Compliant

Applications

- Street Lights
- Flood Lights



Absolute Maximum Ratings

Parameter	Symbol	Max.	Units
Input power range Max	Pi	26.4	W
Operating current range	If	800	mA

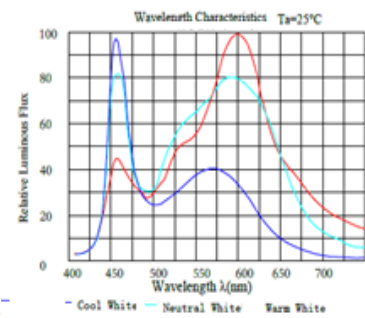
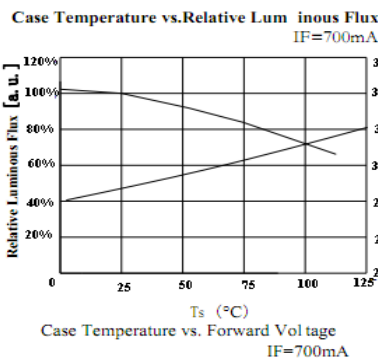
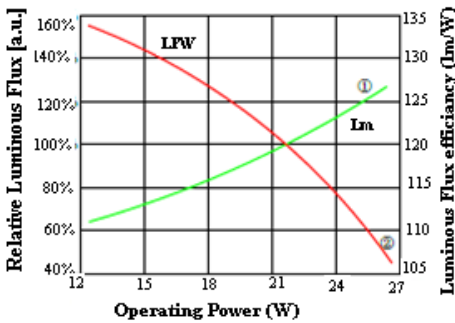
Electro-Optical Characteristics at Tc=25°C

Parameter	Symbol	Condition	Min.	Typ.	Max.	LM/W (typ)	Unit
Forward Voltage	VF	IF=700mA	---	30	---	---	V
Luminous Flux	Φv	TC=6000K	2350	2500	2600	115	Lm
CRI	Ra	IF=700mA	70	---	---	---	---
Operating Temperature Range	Top		-35°C To +100°C				
Storage Temperature Range	Tstg	--	-40°C To +85°C				
Lead Soldering Temperature	Tsol		Max. 350°C for 5sec Max.				
Rj Thermal Resistance	-		0.5°C/W				

Current v/s Vf CCT. Lumens, Lm/W

IF (mA)	Vf(V)-Typ	CCT	Φv(Lm)-Typ	Lm/W-Typ[
400	29.5	5900	1650	140
500	30.0	5940	1990	132
600	30.5	5980	2300	125
700	31.0	6010	2600	119
800	31.5	6050	2860	113
900	32.0	6090	3110	107

7.Characteristics



Notes: LED should be used within 168 Hrs. of opening the package. Re-Vacuum Pack the unused LEDs. Reflow Solder not permitted. Use hand solder. Set the iron @350°C x 5sec max. Cool the COB to Room Temp before going for second solder..



KWALITY PHOTONICS PRIVATE LIMITED

ISO 9001 29A&B, EC, Kushaiguda, Hyderabad-500062, INDIA. Ph: 040-64621946, 27123555
 kwalitypolywa@gmail.com sales@kwalityindia.com www.kwalityphotonics.com